

## **DATA CABLING STANDARDS FOR EDISON STATE COLLEGE**

### **Data and Voice Cables**

All cable used must meet manufacture specification for Cat 6 rating and must be able to supply such specs upon request from Edison State College.

PVC cabling may be used unless NEC Code requires Plenum Cabling (Air return ceilings)

***All data drops must be tested and certified upon completion.***

### **Data and Voice Jacks**

Jacks used must be either Leviton, Ortronics, or Keystone and must meet Cat 6 requirements.

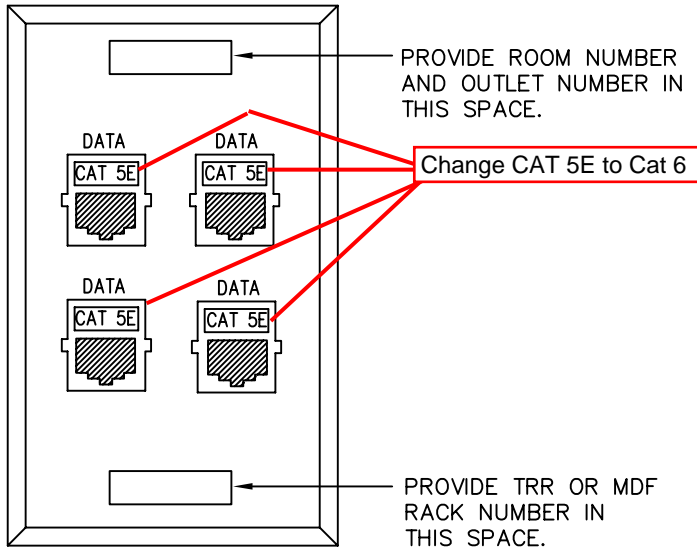
### **Plates**

Outlet plates must match the jacks being used and must be labeled per Edison State College specs.

### **Patch Panels**

Patch panels to be used are Cat 6 Leviton, Ortronics, or Signamax Cat 6. And must support POE (power over ethernet)

**Note:** All products used on FSW State College projects must be in compliance with the most current applicable edition of the Florida Building Code.



▽ - OUTLET CONFIGURATION KEY AS INDICATED ON PLANS

- NOTES:**
1. ALL INFORMATION OUTLETS SHALL BE PROVIDE WITH LABELS INDICATING:
    - A. ROOM NUMBER
    - B. OUTLET ID.
    - C. PORT NUMBER
  2. LABELS SHALL BE TYPE WRITTEN OR KROYED AND PLACED IN A CLEAR ACETATE SLEEVE.
  3. THE SAME LABELING SHALL BE PROVIDED ON BACK OF FACE PLATE WITH A PERMANENT MARKER.

# TYPICAL 4 PORT INFORMATION MANAGEMENT OUTLET CONFIGURATION

DEPARTMENT OF FACILITIES  
PLANNING & MANAGEMENT

## IT STANDARDS

FACILITY NO. -

LEE COUNTY  
FT. MYERS, FL

**DISCLAIMER**

DRAWING INFORMATION  
ACCURATE FOR PLANNING  
PURPOSES ONLY. VERIFY ALL  
INFORMATION AS REQUIRED.

**REVISION**

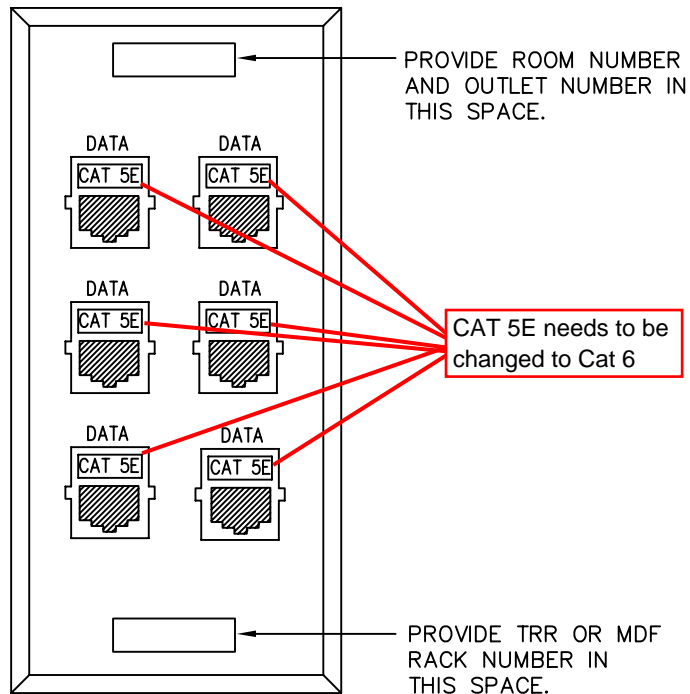
DESC.	DATE

AREA

SCALE: N.T.S

SHEET NO.:

# IT-1



▽6 - OUTLET CONFIGURATION KEY AS INDICATED ON PLANS

NOTES:

1. ALL INFORMATION OUTLETS SHALL BE PROVIDE WITH LABELS INDICATING:
  - A. ROOM NUMBER
  - B. OUTLET ID.
  - C. PORT NUMBER
2. LABELS SHALL BE TYPE WRITTEN OR KROYED AND PLACED IN A CLEAR ACETATE SLEEVE.
3. THE SAME LABELING SHALL BE PROVIDED ON BACK OF FACE PLATE WITH A PERMANENT MARKER.

# TYPICAL 6 PORT INFORMATION MANAGEMENT OUTLET CONFIGURATION

DEPARTMENT OF FACILITIES  
PLANNING & MANAGEMENT

## IT STANDARDS

FACILITY NO. -

LEE COUNTY  
FT. MYERS, FL

**DISCLAIMER**

DRAWING INFORMATION ACCURATE FOR PLANNING PURPOSES ONLY. VERIFY ALL INFORMATION AS REQUIRED.

**REVISION**

DESC.	DATE

AREA

SCALE: N.T.S

SHEET NO.:

# IT-2

# IT STANDARDS

FACILITY NO. -

LEE COUNTY  
FT. MYERS, FL

**DISCLAIMER**

DRAWING INFORMATION  
ACCURATE FOR PLANNING  
PURPOSES ONLY. VERIFY ALL  
INFORMATION AS REQUIRED.

**REVISION**

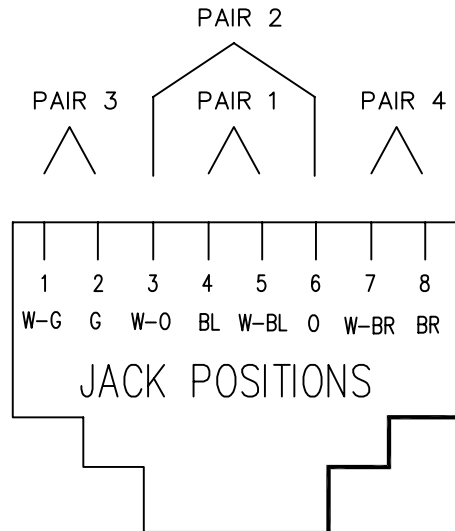
DESC.	DATE

AREA

SCALE: N.T.S

SHEET NO.:

# IT-3



EIA/TIA T568A

MODULAR JACK WIRING (FRONT VIEW)

T568A needs to be T568B on all new patch panels if existing patch panel is wired 568A then use of 568A wiring is acceptable.

# MODULAR JACK WIRING DIAGRAM

DEPARTMENT OF FACILITIES  
PLANNING & MANAGEMENT

# IT STANDARDS

FACILITY NO. -

LEE COUNTY  
FT. MYERS, FL

**DISCLAIMER**

DRAWING INFORMATION  
ACCURATE FOR PLANNING  
PURPOSES ONLY. VERIFY ALL  
INFORMATION AS REQUIRED.

**REVISION**

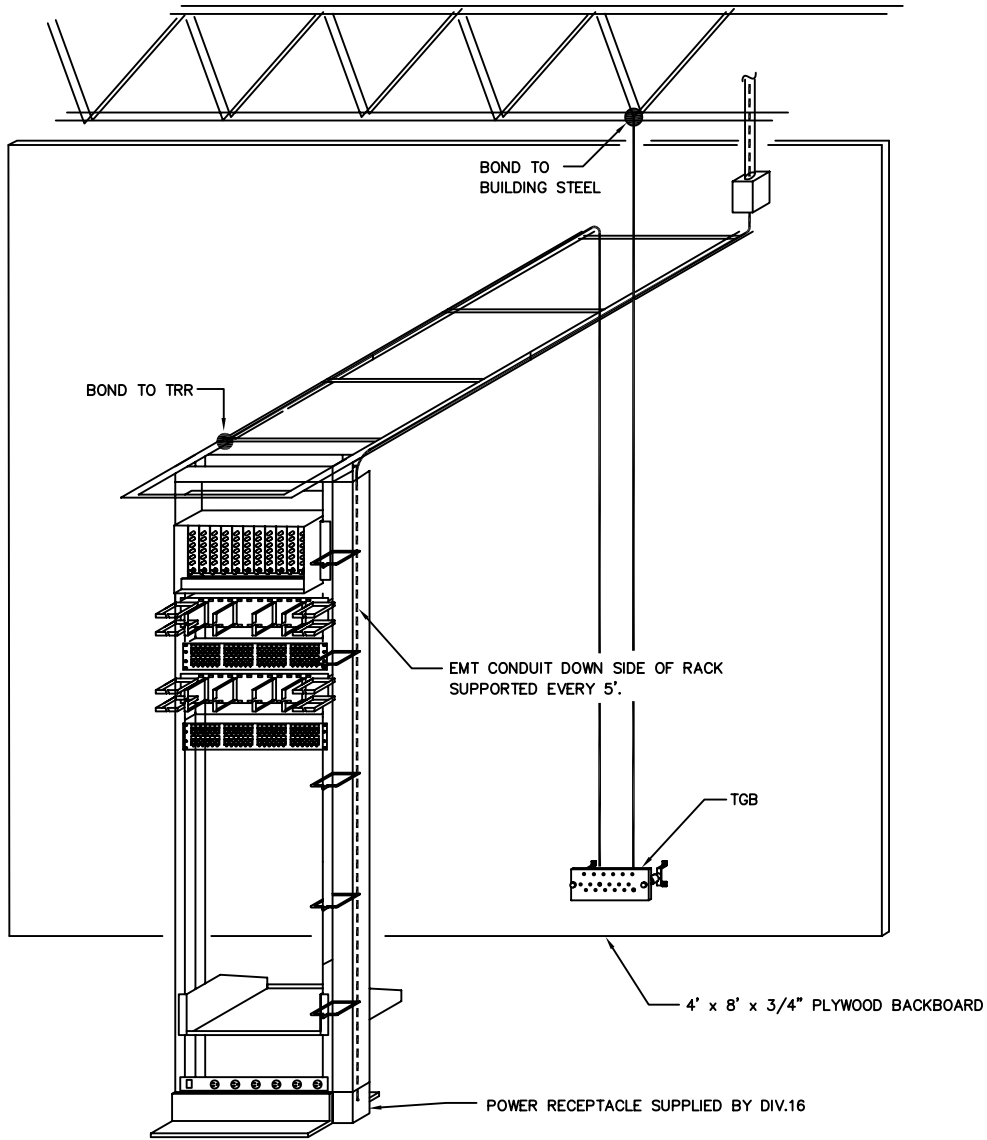
DESC.	DATE

AREA

SCALE: N.T.S

SHEET NO.:

# IT-4



TYPICAL RACK POWER DETAIL

DEPARTMENT OF FACILITIES  
PLANNING & MANAGEMENT

# IT STANDARDS

FACILITY NO. -

LEE COUNTY  
FT. MYERS, FL

### DISCLAIMER

DRAWING INFORMATION  
ACCURATE FOR PLANNING  
PURPOSES ONLY. VERIFY ALL  
INFORMATION AS REQUIRED.

### REVISION

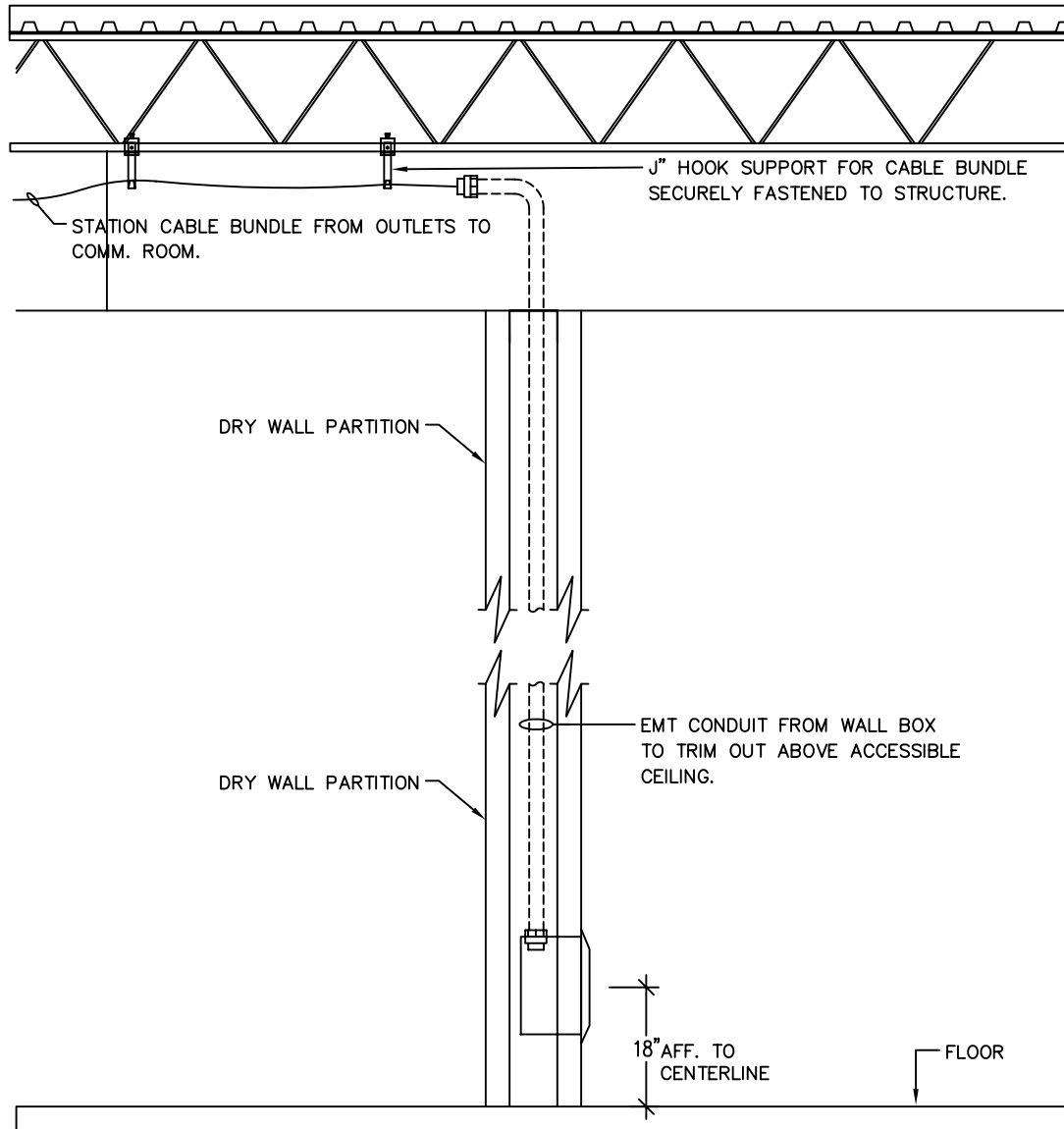
DESC.	DATE

AREA

SCALE: N.T.S

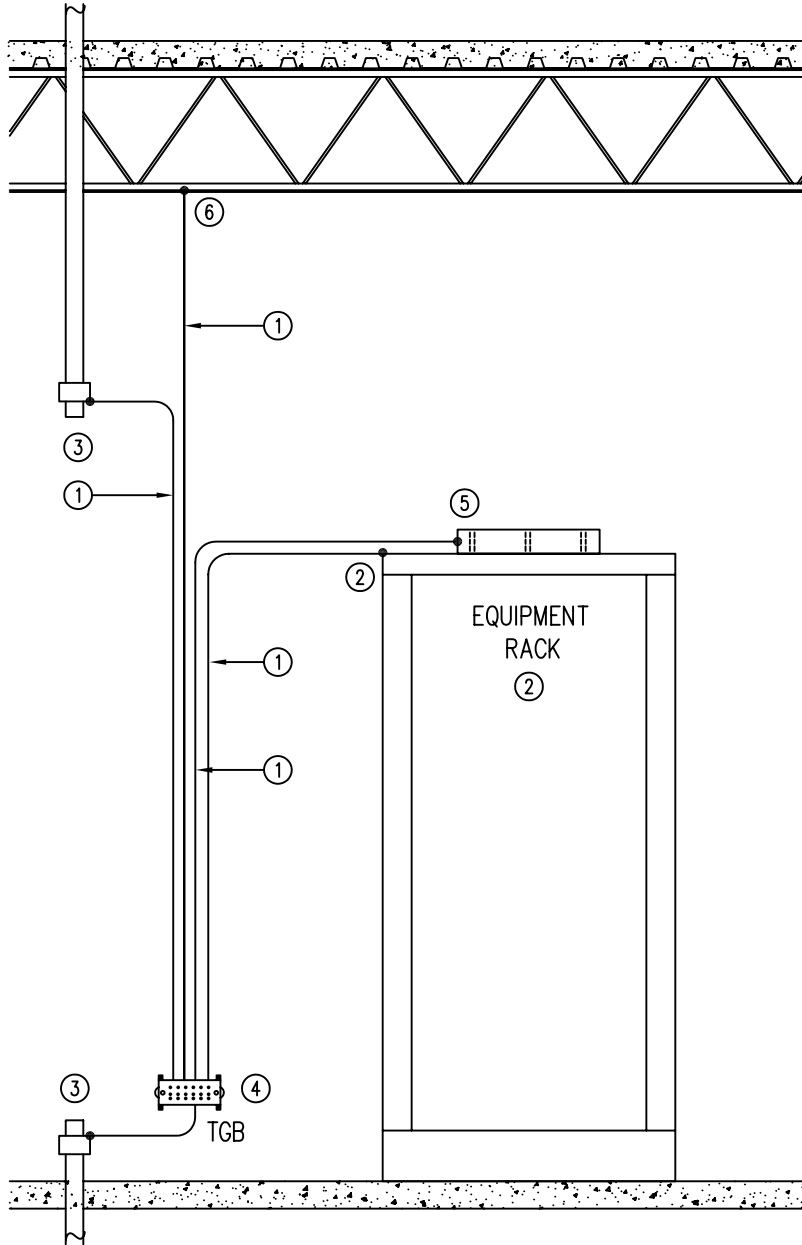
SHEET NO.:

# IT-5



## TYPICAL WALL MOUNTED OUTLET BOX

- ① #6AWG COPPER GROUNDING CONDUCTOR
- ② BOND RACKS TO BUSBAR
- ③ BOND METAL CONDUIT TO BUSBAR.
- ④ REFER TO DETAIL THIS SHEET FOR RISER DIAGRAM FOR TGB CONNECTIVITY.
- ⑤ BOND CABLE RUNWAY TO BUSBAR.
- ⑥ BOND TO BUILDING STEEL.



GROUNDING DETAIL (TYPICAL TELECOMMUNICATIONS ROOM)

DEPARTMENT OF FACILITIES  
PLANNING & MANAGEMENT

# IT STANDARDS

FACILITY NO. -

LEE COUNTY  
FT. MYERS, FL

**DISCLAIMER**

DRAWING INFORMATION  
ACCURATE FOR PLANNING  
PURPOSES ONLY. VERIFY ALL  
INFORMATION AS REQUIRED.

**REVISION**

DESC.	DATE

AREA

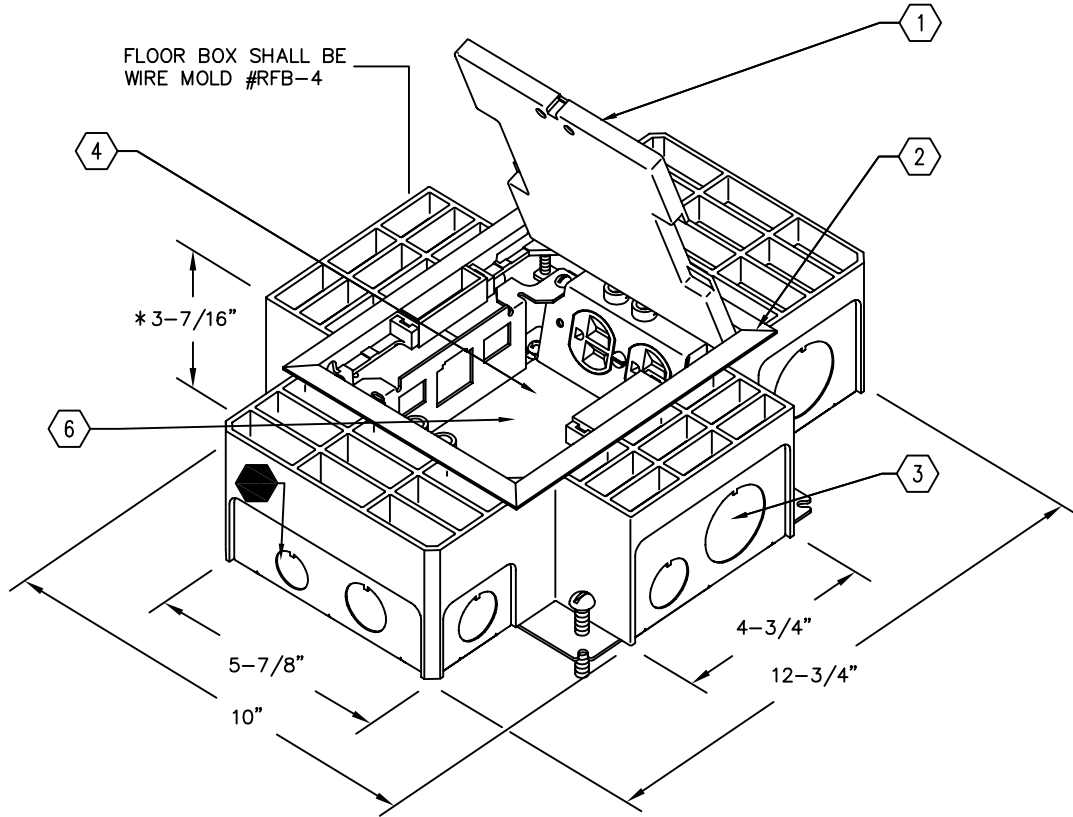
SCALE: N.T.S

SHEET NO.:

# IT-6

IT-5.dwg (IT-6) Mar 16, 2005 - 3:33pm

FLOOR BOX SHALL BE WIRE MOLD #RFB-4



\* IF CONC. TOPPING IS LESS THAN 4" CUT METAL DECK AND CONSTRUCT METAL PAN BELOW BOX.

- 1 CAST ALUMINUM COVER WITH CARPET INSERT.
- 2 CARPET FLANGE
- 3 CONDUIT KNOCK-OUTS FOR VOICE/DATA CONDUIT.
- 4 POWER SHALL CONSIST OF A DUPLEX RECEPTACLE IN EACH POWER COMPARTMENT AND VOICE/DATA SHALL CONSIST OF DEVICES SIMILAR TO THAT DETAILED FOR WALL MOUNTED VOICE/DATA OUTLET AND A MICROPHONE JACK IN ONE COMPARTMENT.
- 5 CONDUIT KNOCK-OUTS FOR POWER.
- 6 CONTRACTOR IS TO INSTALL (2) DUPLEX RECEPTACLES IN FLOOR BOX.

## TYPICAL FLOOR BOX DETAIL

DEPARTMENT OF FACILITIES  
PLANNING & MANAGEMENT

# IT STANDARDS

FACILITY NO. -

LEE COUNTY  
FT. MYERS, FL

### DISCLAIMER

DRAWING INFORMATION  
ACCURATE FOR PLANNING  
PURPOSES ONLY. VERIFY ALL  
INFORMATION AS REQUIRED.

### REVISION

DESC.	DATE

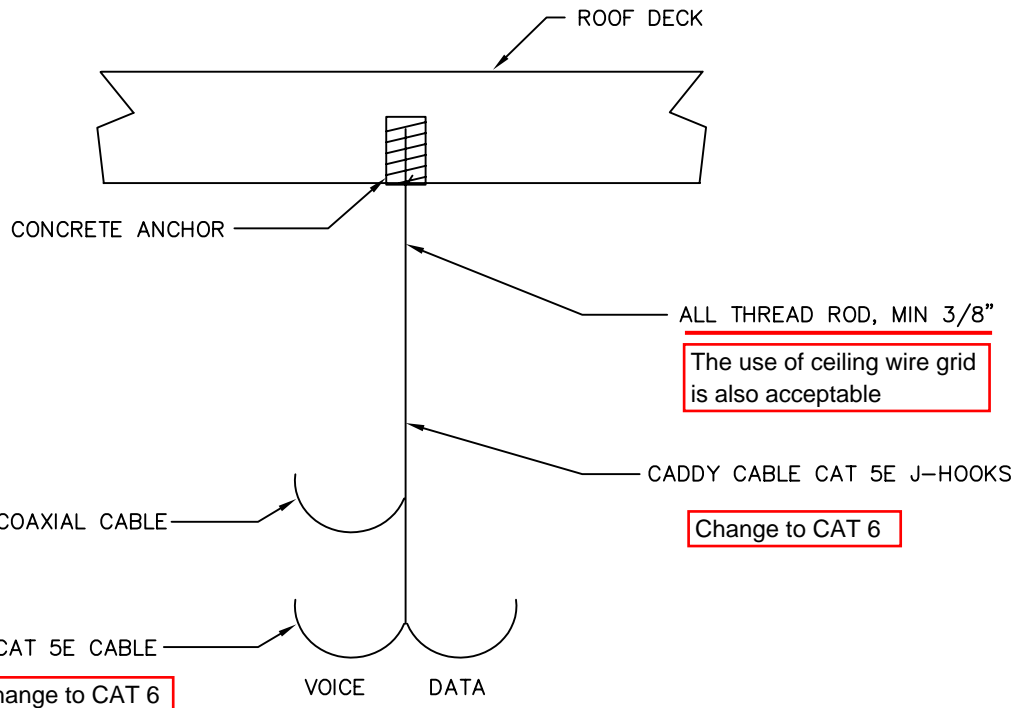
AREA

SCALE: N.T.S

SHEET NO.:

# IT-7





Change to CAT 6

The use of ceiling wire grid is also acceptable

Change to CAT 6

NOTE: TREE SYSTEM IS FOR MAIN CORRIDOR PATHWAYS. DOUBLE AND SINGLE TREES MAYBE USED IN ROOMS. CABLE J-HOOK SYSTEM CAN BE SECURED TO METAL STUDS, WHERE PERMISSIBLE.

SIMILAR MOUNTING AND CONFIGURATION FOR THE "CLIC" FASTENER IN NON PLENUM AREAS.

# CABLE HANGER AND CLIC FASTENER DETAIL

DEPARTMENT OF FACILITIES PLANNING & MANAGEMENT

## IT STANDARDS

FACILITY NO. -  
LEE COUNTY  
FT. MYERS, FL

**DISCLAIMER**  
DRAWING INFORMATION ACCURATE FOR PLANNING PURPOSES ONLY. VERIFY ALL INFORMATION AS REQUIRED.

**REVISION**

DESC.	DATE

AREA

SCALE: N.T.S

SHEET NO.:

# IT-8

# IT STANDARDS

FACILITY NO. -

LEE COUNTY  
FT. MYERS, FL

**DISCLAIMER**

DRAWING INFORMATION  
ACCURATE FOR PLANNING  
PURPOSES ONLY. VERIFY ALL  
INFORMATION AS REQUIRED.

**REVISION**

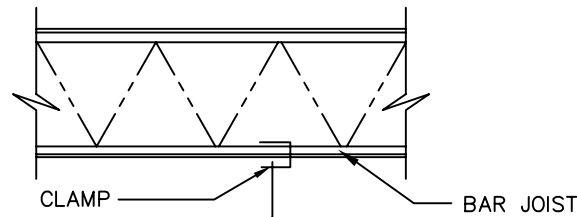
DESC.	DATE

AREA

SCALE: N.T.S

SHEET NO.:

# IT-9



ALL THREAD ROD, MIN 3/8"

Ceiling grid wire is acceptable when  
not exceeding weight requirements

CADDY CABLE CAT 5E J-HOOKS

Change CAT 5E to CAT 6

COAXIAL CABLE

CAT. 5E CABLE

Change CAT 5E to CAT 6

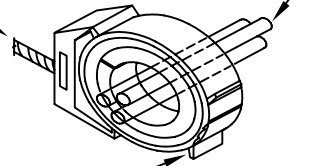
VOICE DATA

Voice and Data cables  
are the same type cable

Change CAT 5E to CAT 6

CAT 5E CABLE TYP.

THREADED ROD W/  
APPROPRIATE ADAPTER.



"CLIC" FASTENER W/ BUNDLE  
ROUTING RING.

## CABLE HANGER AND CLIC FASTENER DETAIL

DEPARTMENT OF FACILITIES  
PLANNING & MANAGEMENT

# IT STANDARDS

FACILITY NO. -

LEE COUNTY  
FT. MYERS, FL

**DISCLAIMER**

DRAWING INFORMATION  
ACCURATE FOR PLANNING  
PURPOSES ONLY. VERIFY ALL  
INFORMATION AS REQUIRED.

**REVISION**

DESC.	DATE

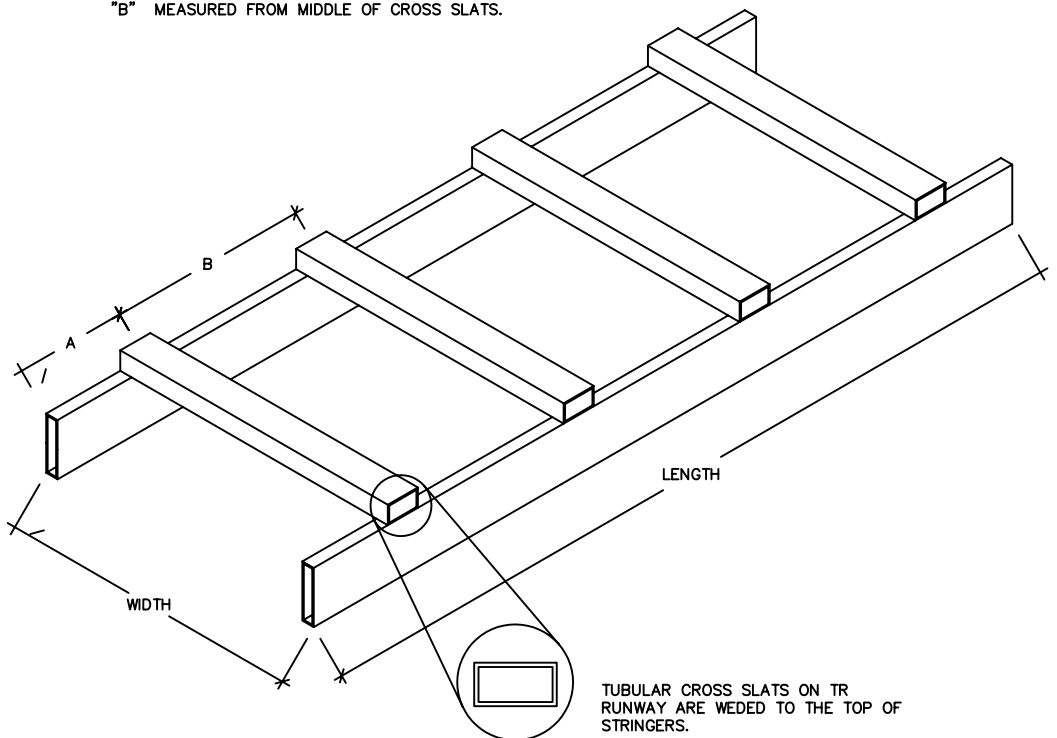
AREA

SCALE: N.T.S

SHEET NO.:

# IT-10

"A" MEASURED FROM END OF  
STRINGER TO MIDDLE OF CROSS SLAT.  
"B" MEASURED FROM MIDDLE OF CROSS SLATS.



TUBULAR RUNWAY

DEPARTMENT OF FACILITIES  
PLANNING & MANAGEMENT

# IT STANDARDS

FACILITY NO. -

LEE COUNTY  
FT. MYERS, FL

### DISCLAIMER

DRAWING INFORMATION  
ACCURATE FOR PLANNING  
PURPOSES ONLY. VERIFY ALL  
INFORMATION AS REQUIRED.

### REVISION

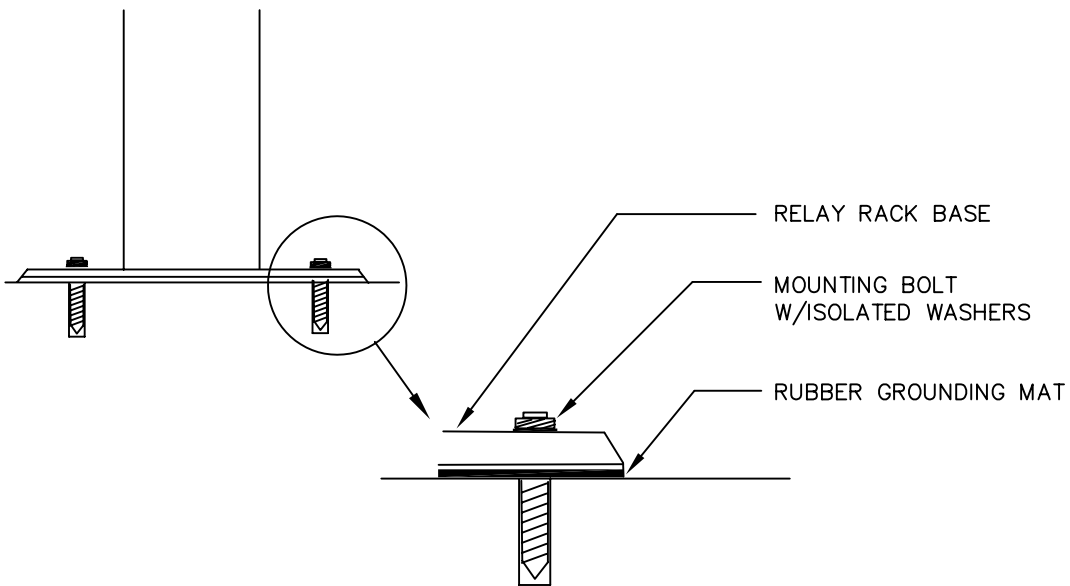
DESC.	DATE

AREA

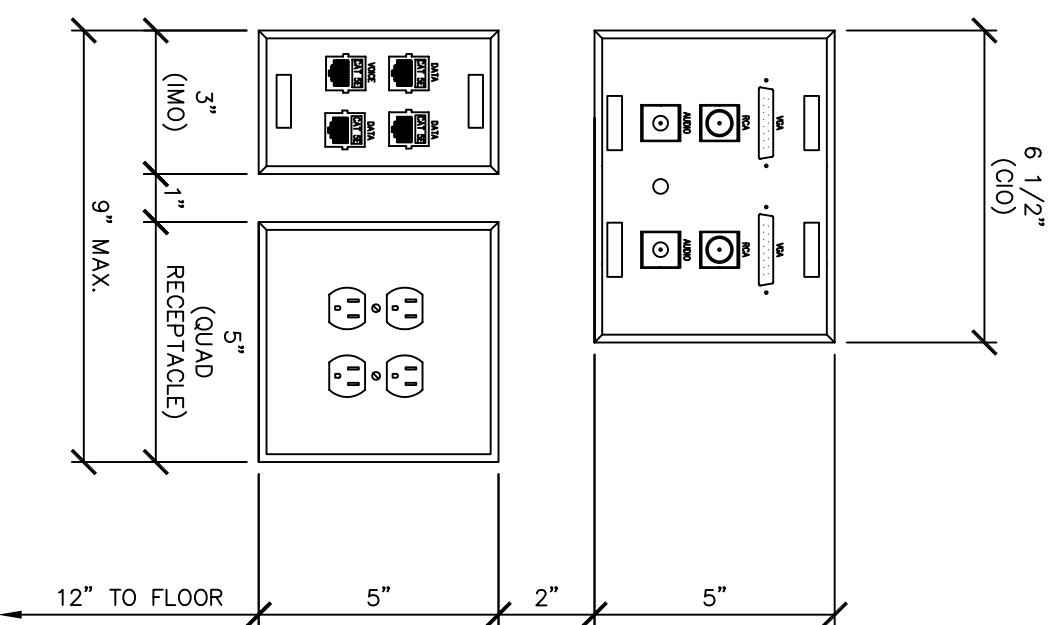
SCALE: N.T.S

SHEET NO.:

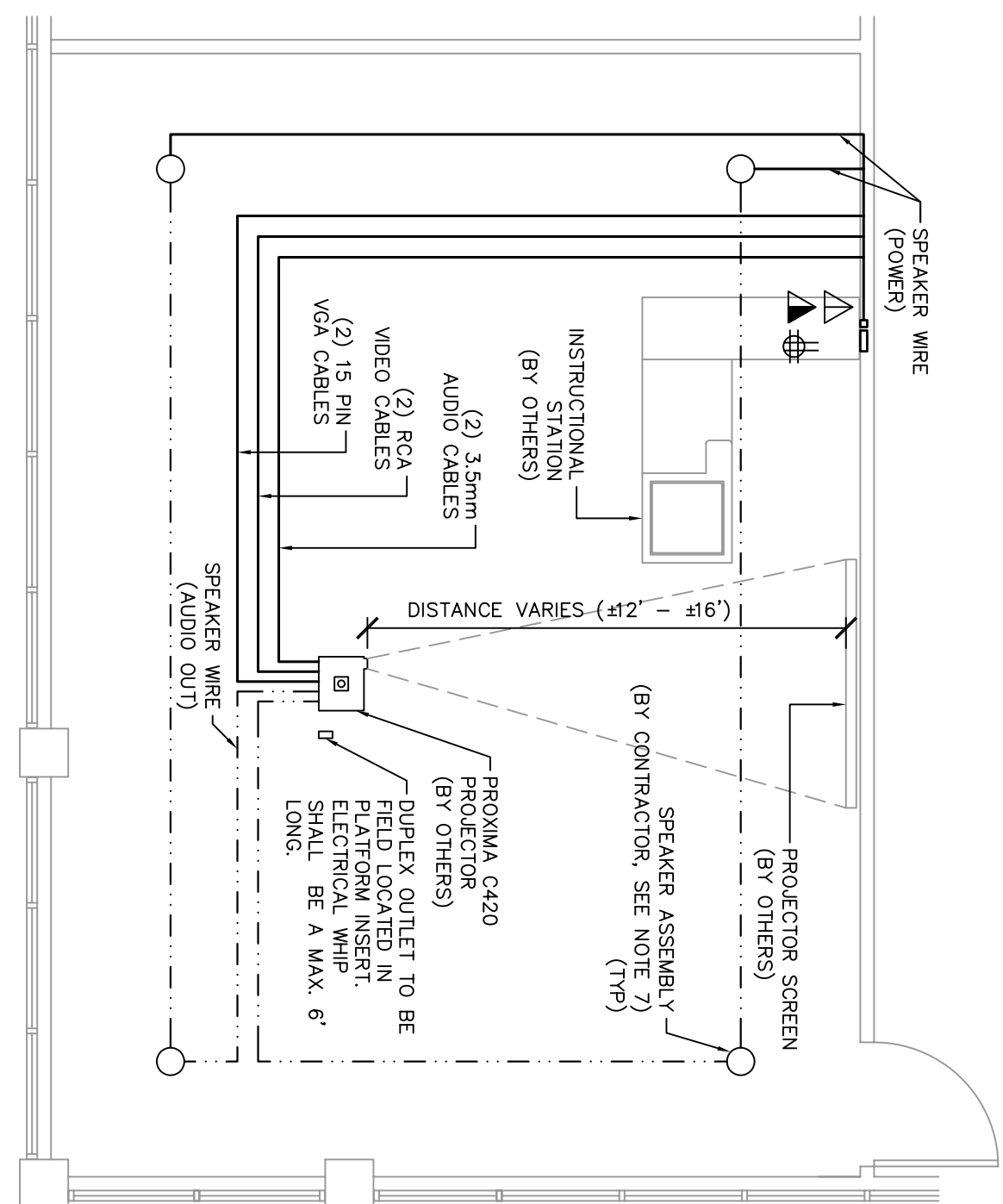
# IT-11



## FLOOR RACK MOUNTING DETAIL



TYPICAL WALL LAYOUT DETAIL  
SCALE: N.T.S.



PLAN VIEW  
SCALE: N.T.S.

**NOTES**

1. ALL INSTRUCTIONAL STATIONS REQUIRE ONE FOUR PORT INFORMATION MANAGEMENT OUTLET (IMO). INSTALL 12" AFF TO BOTTOM OF COVER PLATE.
2. ALL PROJECTORS REQUIRE ONE CUSTOM INPUT/OUTPUT (CIO) TRIPLE-GANG STAINLESS STEEL PLATE. INSTALL 19" AFF TO BOTTOM OF COVER PLATE AND ALIGN AS INDICATED WITH IMO PLATE.
3. ALL INSTRUCTIONAL STATIONS REQUIRE ONE QUAD RECEPTACLE TO BE INSTALLED 12" AFF TO BOTTOM OF COVER PLATE.
4. ALL INSTRUCTIONAL STATIONS REQUIRE INFORMATION MANAGEMENT OUTLETS AND QUAD RECEPTACLES TO BE A MAXIMUM 9" FROM OUTSIDE TO OUTSIDE OF COVER PLATES.
5. ALL CABLES AND SPEAKER WIRES IN A PLENUM RATED CEILING TO BE PLENUM RATED OR RUN IN A MIN. 2" PLENUM RATED CONDUIT.
6. ALL ELECTRICAL RECEPTACLES IN PLENUM RATED CEILINGS TO HAVE 1/2" FLEXIBLE CONDUIT, MIN. 12 AWG THIN AND METALLIC PARTS TO BE MECHANICALLY BONDED.
7. CONTRACTOR TO PROVIDE SPEAKERS, 12" SPEAKER GRILLES, BACK BOXES, WIRES, ETC.

**LEGEND**

- 4 PORT INFORMATION MANAGEMENT OUTLET (IMO)
- QUAD RECEPTACLE
- CUSTOM INPUT/OUTPUT (CIO)

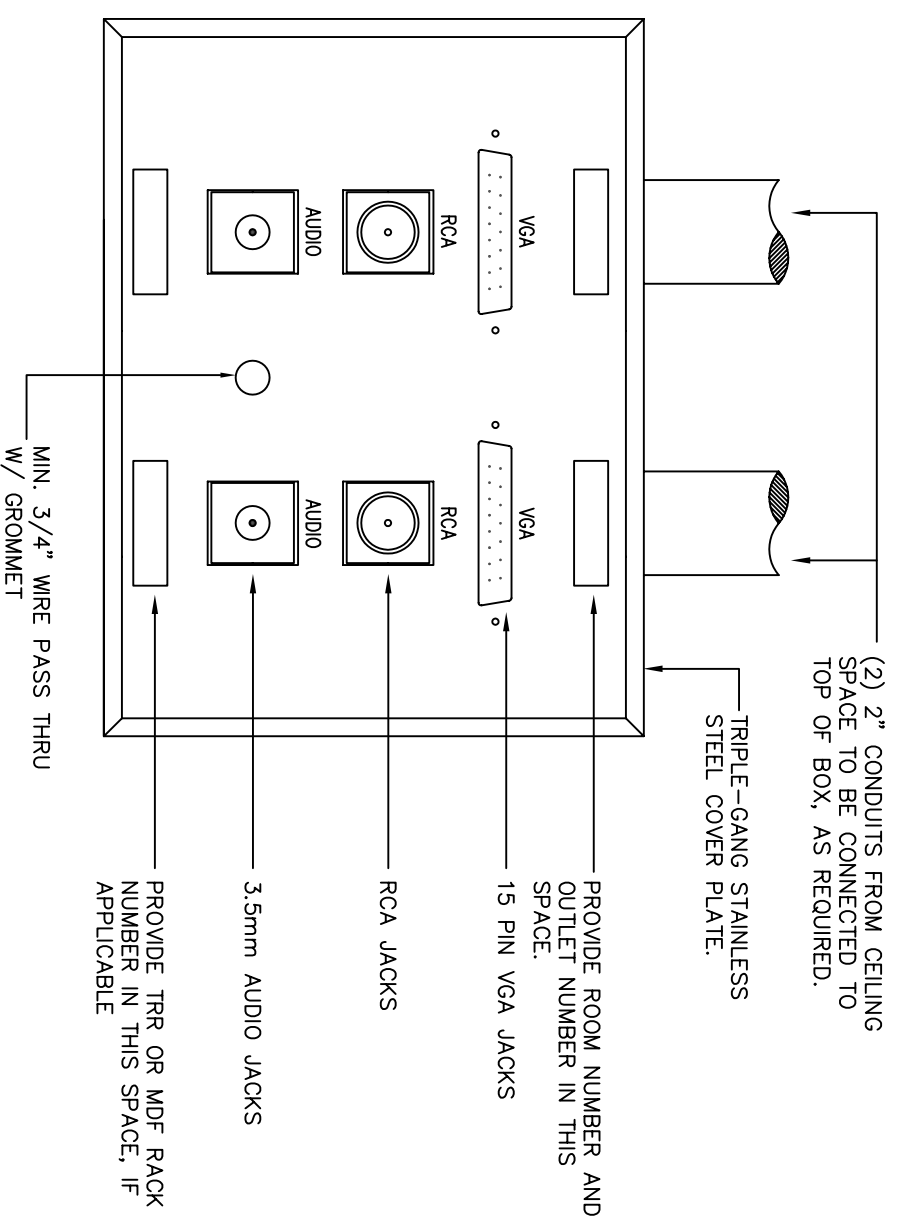
TYPICAL PROJECTOR INSTALLATION  
ROOM LAYOUT

ECC DEPT. OF FACILITIES -  
PLANNING & MANAGEMENT

SHEET:  
1

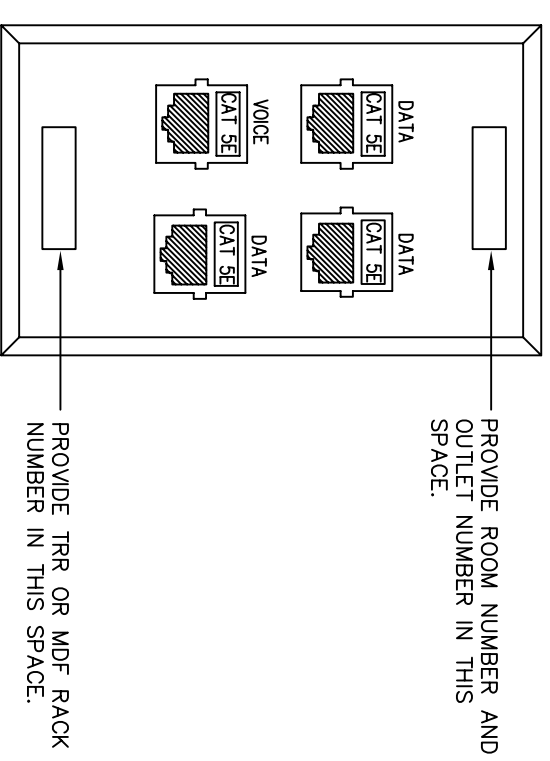
DATE: 06/03/04

▽ - OUTLET CONFIGURATION KEY AS INDICATED ON PLANS



CUSTOM INPUT/OUTPUT (CIO)  
OUTLET CONFIGURATION  
SCALE: N.T.S.

▽ - OUTLET CONFIGURATION KEY AS INDICATED ON PLANS



- NOTES**
1. ALL INFORMATION OUTLETS SHALL BE PROVIDED WITH LABELS INDICATING:
    - A. ROOM NUMBER
    - B. OUTLET ID.
    - C. PORT NUMBER
  2. LABELS SHALL BE TYPE WRITTEN OR KROYED AND PLACED IN A CLEAR ACETATE SLEEVE.
  3. THE SAME LABELING SHALL BE PROVIDED ON BACK OF FACE PLATE WITH A PERMANENT MARKER.

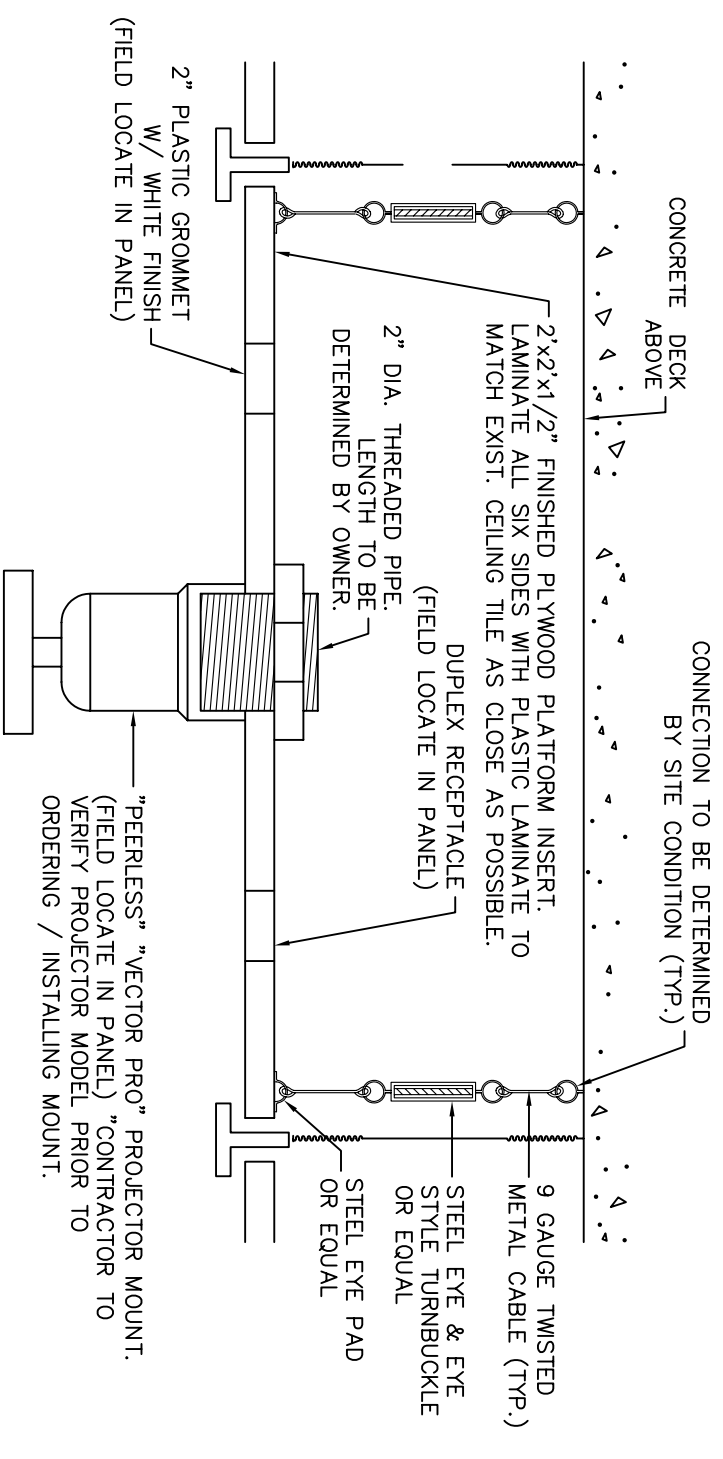
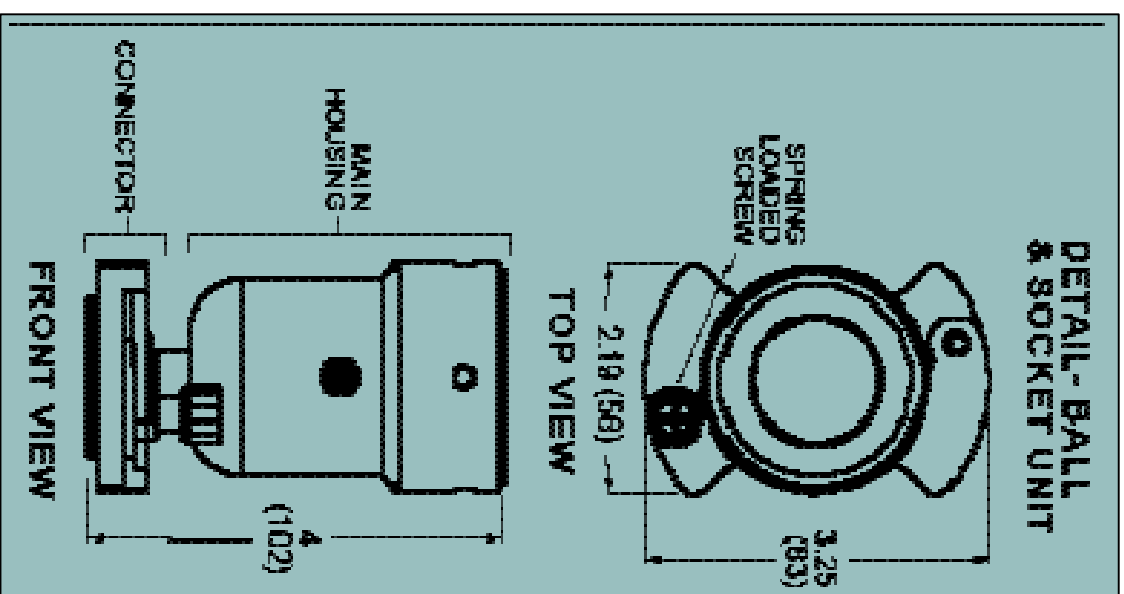
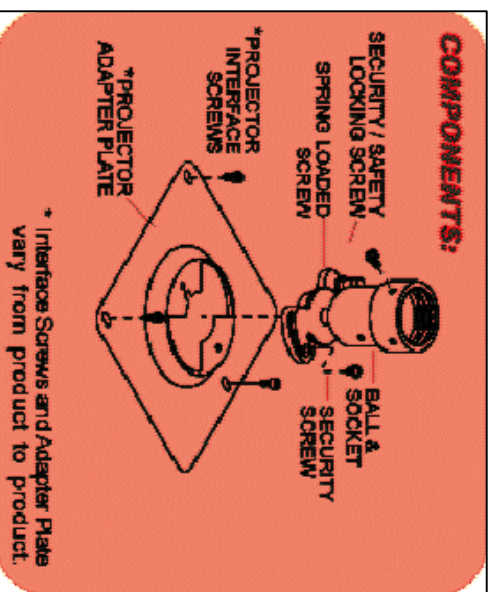
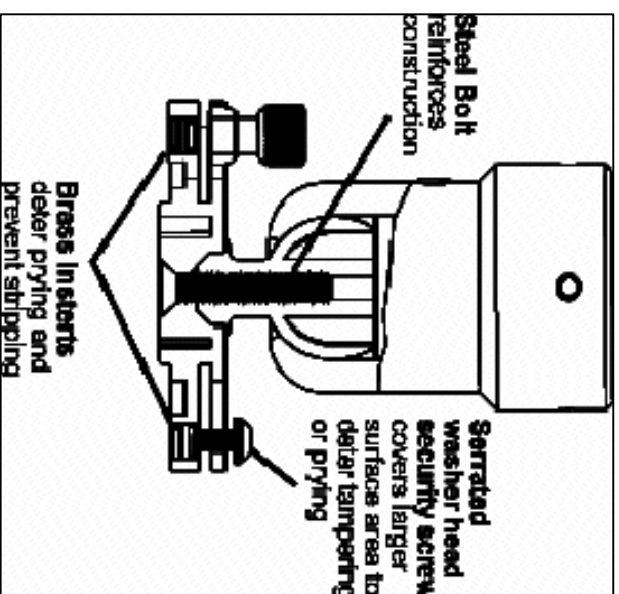
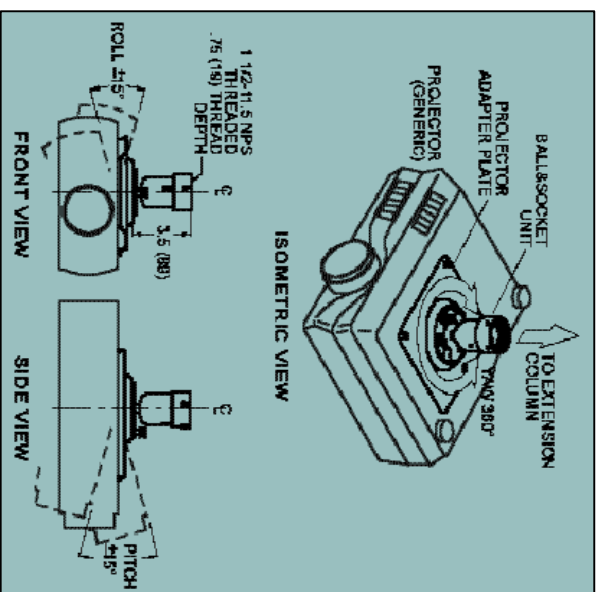
TYPICAL 4 PORT INFORMATION  
MANAGEMENT OUTLET CONFIGURATION  
SCALE: N.T.S.

DETAILS

ECC DEPT. OF FACILITIES -  
PLANNING & MANAGEMENT

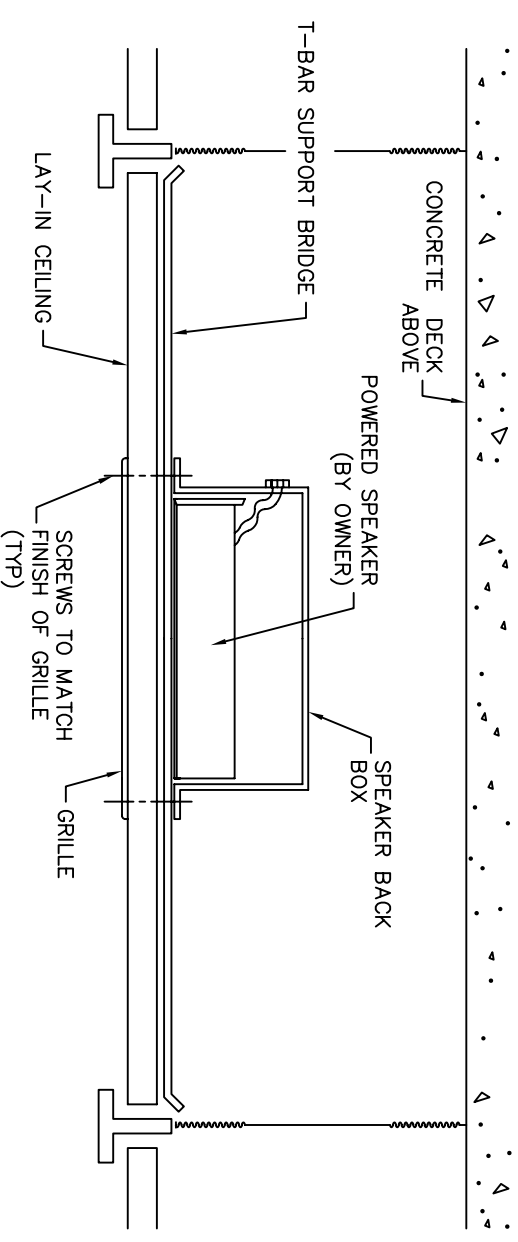
DATE: 06/03/04

SHEET:  
2



PLATFORM INSERT

SCALE: N.T.S.



SPEAKER RECESSED IN LAY-IN CEILING

SCALE: N.T.S.

DETAILS

ECC DEPT. OF FACILITIES -  
PLANNING & MANAGEMENT

DATE: 06/03/04

SHEET:  
3