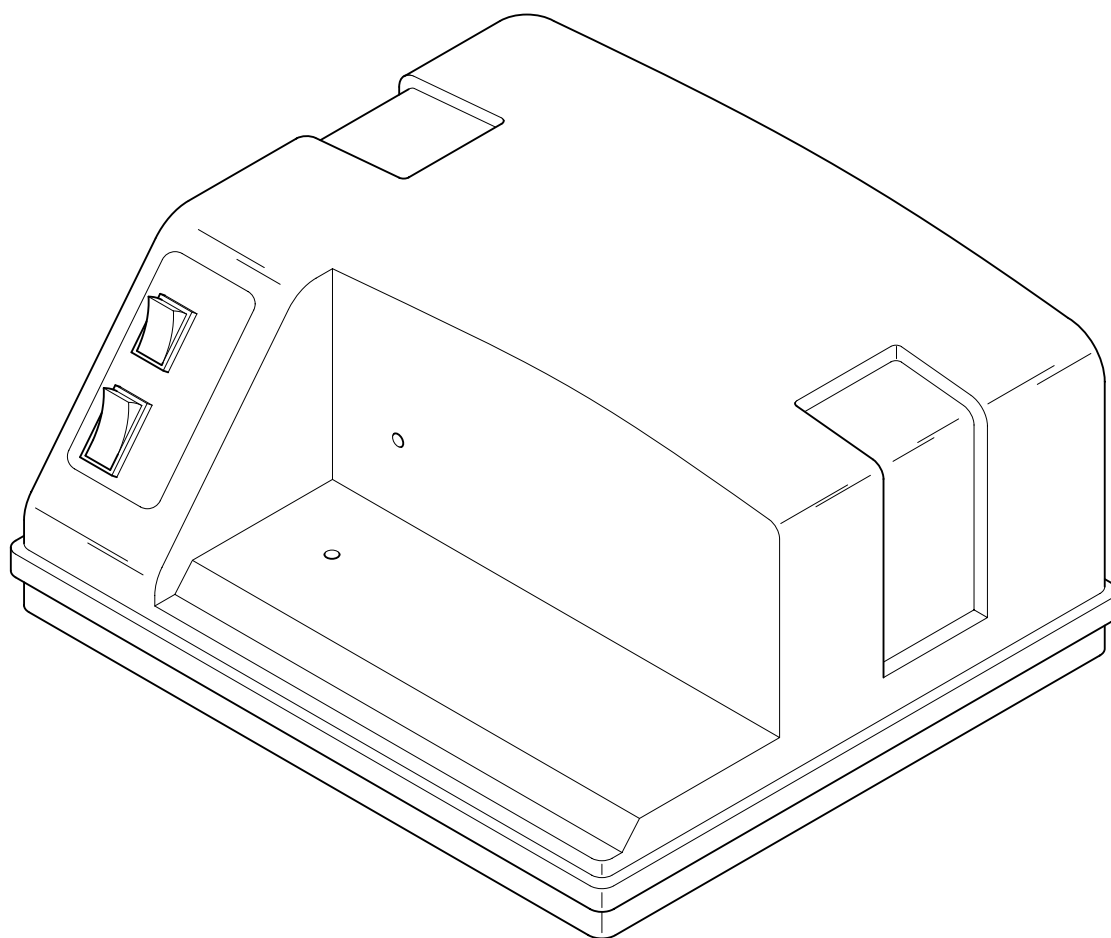


3M

Operators Manual

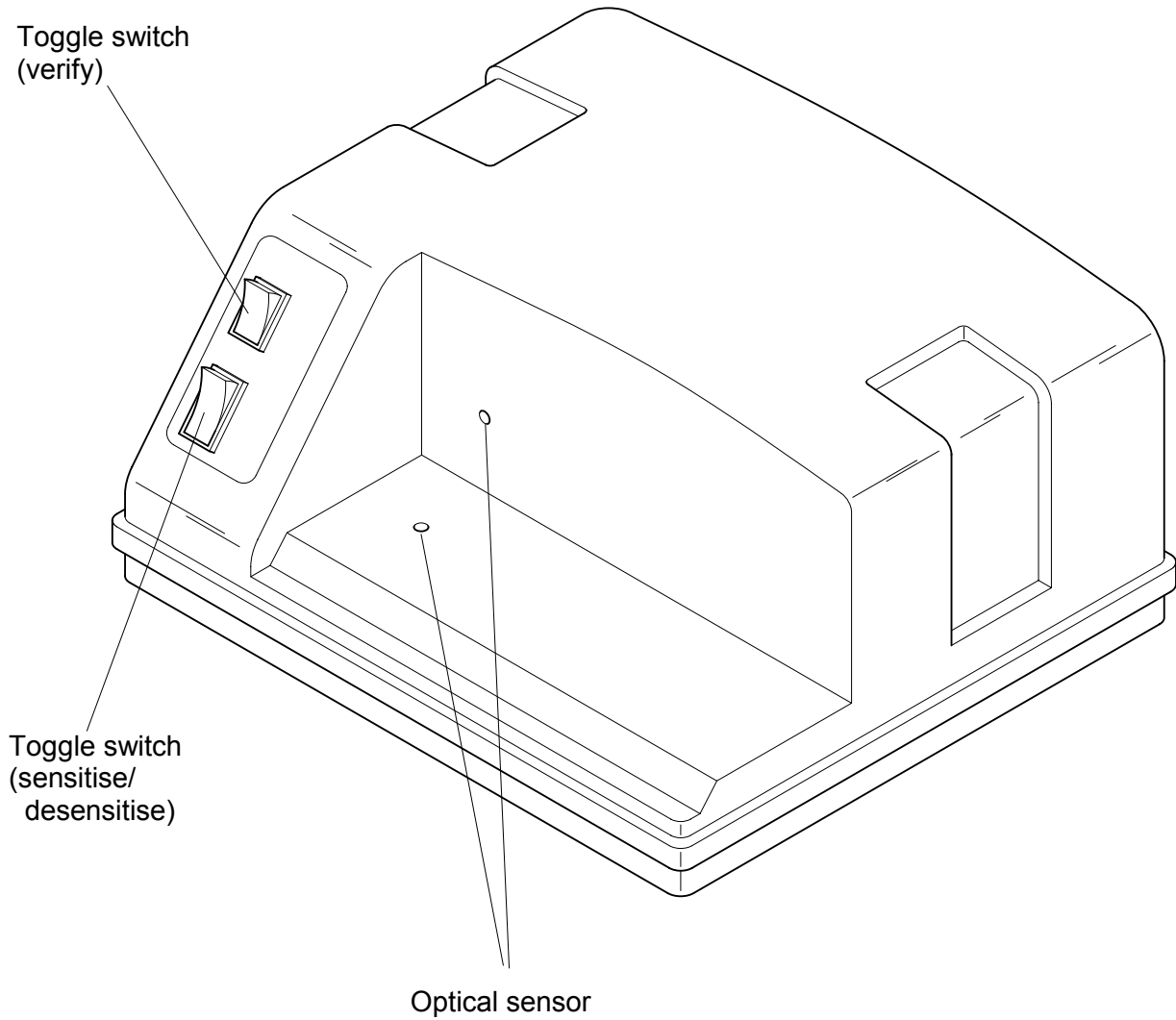
**Book check unit
3M Model 955**



Index of Contents

1 Components	1-1
2 Designated application	2-1
2.1 Compatible media	2-1
2.2 Incompatible media	2-1
3 Safety	3-1
4 Operation	4-1
4.1 Verification	4-2
5 Troubleshooting	5-1
6 Technical data	6-1

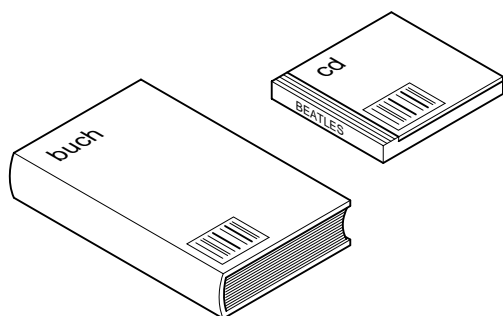
1 Components



Designated Application

2 Designated application

2.1 Compatible media



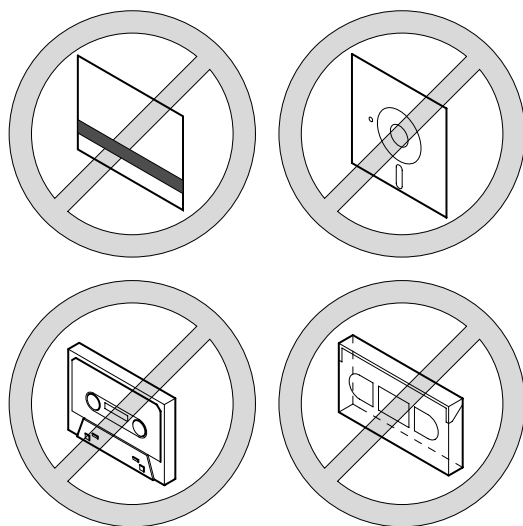
The Model 955 has been designed for sensitising and desensitising printed media and compact discs only.

The following security markers can be used:

Sensitise / Desensitise

- Books: DS-B1-N/B1
DS-B2-N/B2
DS-B0
- Compact Discs: DCD-1/DCD-2

2.2 Incompatible media



Floppy disks, mag cards, videos and audio cassettes are NOT suitable for the Model 955.

Any application of the Model 955 which is not expressly authorised in the order confirmation will be considered as being a non-designated application.

The manufacturer/supplier does not accept any liability for damage arising from any non-designated use of the Model 955.

 Place no magnetic media nearer than 30 cm (12") from the Model 955.

i The Model 955 can cause disturbance to the image of some CRT-VDU's if placed too close. This will vary according to make of monitor. The optimal distance is approximately 1 m.

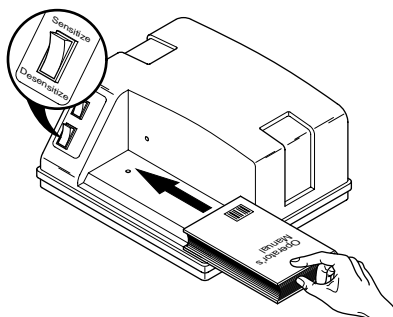
i The Model 955 should only be used with 3M Tattle-Tape™ security strips.

3 Safety

In order to be able to use the Model 955 without any problems, kindly observe the section titled General Safety, and take note of any product specific safety instructions in this section.

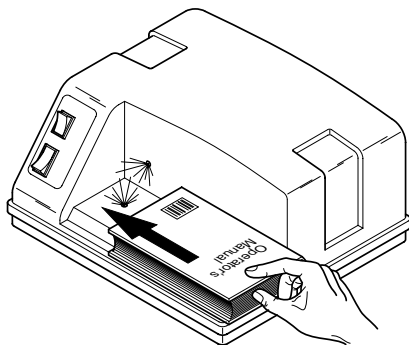
- i** The Model 955 does not have an on/off-switch of its own. The power socket should be easily accessible so that it can be disconnected from the mains if required.

4 Operation



Switch the sensitise/desensitise switch to the required operating mode.

Slide the book through the Model 955 as illustrated adjacent.

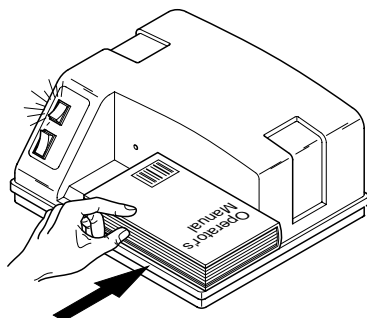


The light beam from the optical sensor will be interrupted.

An audible sensitise/desensitise pulse will be triggered.

4.1 Verification

The "Verify" function can be used to check whether a security strip has been sensitised or not.




Place the book in the Model 955 as illustrated adjacent. Make sure that the light beam from the optical sensor is not interrupted. The lamp in the "verify" button lights up, indicating that the security strip is sensitive.

- i** A negligible magnetic field is given off by the verify function. This magnetic field can be switched off by turning the verify function off

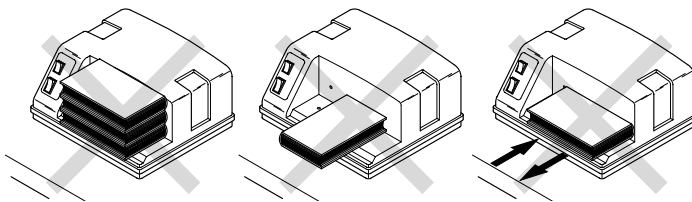
Troubleshooting

5 Troubleshooting

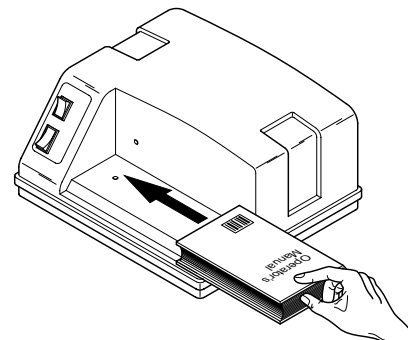
Malfunction	Possible causes	Remedy
The sensitising / desensitising pulse is not triggered.	The optical sensor is dirty.	Clean the optical sensor with suitable materials (e.g. cotton wool buds).
The security marker is not activated / deactivated although the sensitising / desensitising pulse is triggered.	The book has been placed incorrectly.	Slide the book through the Model 955 in the correct position. (See below).
	Several books have placed on the Model 955 simultaneously.	Place the books on the Model 955 one at a time.

 **If the cause of the malfunction cannot be identified, please call the 3M Service Department. The appliance must NOT be opened. Only 3M Service Personnel are authorised to open them!**

incorrect



correct



6 Technical Data

Design:	Table-top model
Application:	Sensitising and desensitising of 3M Security Strips
Method of re/desensitizing:	Electromagnetic pulse
Sensitising and de-sensitising time:	Less than 0.1 seconds
Surrounding requirements:	Recommended operating temperature 10 °C to 35 °C. Storage temperature -40 °C to 60 °C
Power supply:	110-120 V alternating voltage 60 Hz 220-240 V alternating voltage 50 Hz
Power consumption:	Max. 140 Watt in stand-by Max. 280 Watt during operation
Dimensions:	Height 178 mm Width 387 mm Depth 178 mm
Connection cable length:	180 cm
Power supply cable length:	210 cm
Weight:	28 kg in total
Govt. approvals:	UL (Underwriter Laboratories) CSA (Canadian Standards Association) European directives – 89/336/EEC – 73/23/EEC

