

3M 930

Desensitizer Instructions

Instrucciones de uso del desensibilizador

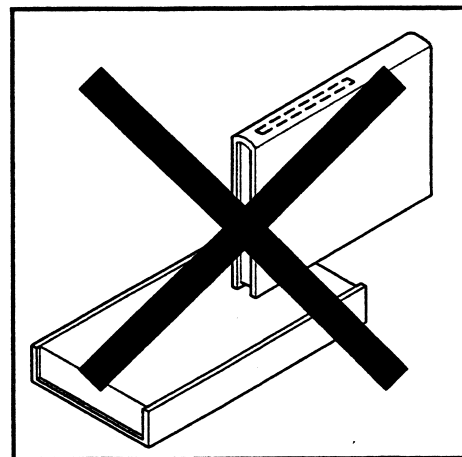
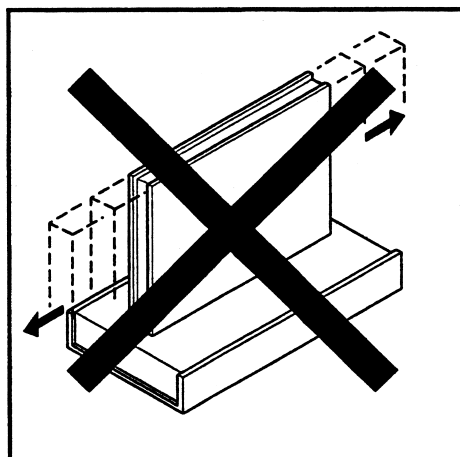
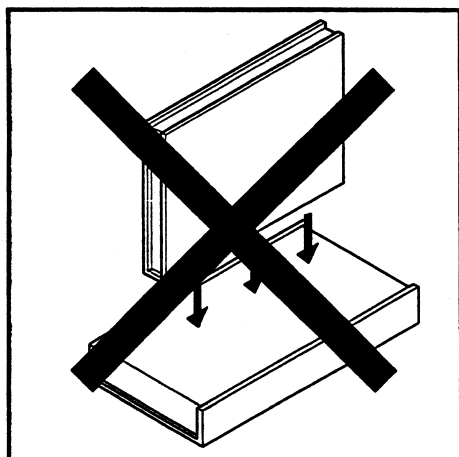
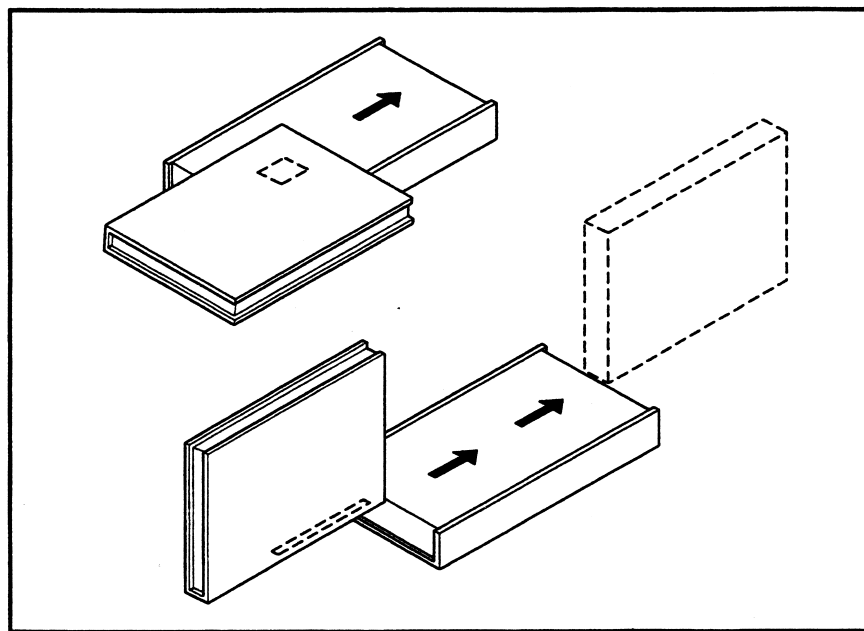
Istruzioni per il Desensibilizzatore

Bedienungsanleitung – Deaktiviergerät

Instructions pour le désensibilisateur

Instructie voor het demagnetiseringsapparaat

ディセンシタイザーの使用法



Important Notice:

THE FOLLOWING IS MADE IN LIEU OF ALL WARRANTIES, EXPRESS OR IMPLIED, INCLUDING THE IMPLIED WARRANTY OF MERCHANTABILITY OR FITNESS FOR A PARTICULAR PURPOSE.

3M warrants that the 3M Model 930 will be free of defects in material and manufacture for a period of 90 days from the date of shipment by 3M. Provided the system has been properly installed, operated and maintained by purchaser, 3M will, at 3M's option, repair, replace or refund the purchase price of such quantity of product determined to be defective. This warranty shall not apply to any system or component which has been repaired or modified by persons not authorized by 3M so that, in 3M's judgment, the performance or reliability is adversely affected thereby, or which is subjected to accident, misuse or neglect.

Except as provided above, 3M shall not be liable or responsible for any loss or damage, whether direct, indirect, or consequential, arising out of the sale, use or misuse of 3M Library Systems products, or the user's inability to use such products. THE REMEDIES SET FORTH HEREIN ARE EXCLUSIVE.

Statements or recommendations not contained herein shall have no force of effect unless in an agreement signed by an authorized representative of 3M. 3M reserves the right to make any changes in the design or construction of its products without obligation in respect to products previously sold and delivered.

For further information or assistance, please contact 3M Library Systems, 800/328-0067.



3M Library Systems

3M Center, Building 225-4N-14
St. Paul, Minnesota 55144-1000
1-800-328-0067
In Canada: 519-451-2500

Printed in U.S.A.
©3M 1995 August 78-6970-4662-7B