

# GBC CombBind C210e Electric Comb Binding Machine

## Instruction Manual

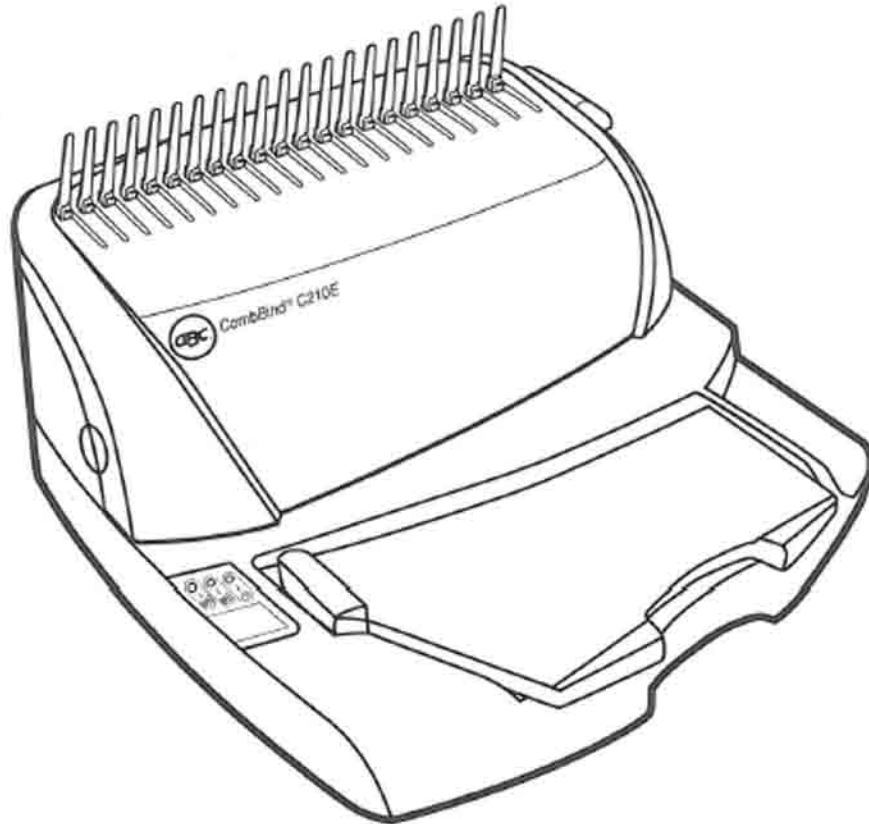


Provided By

**MyBinding**.com®  
*When Image Matters.*



**CombBind® C210E  
Binding System**



**Instruction Manual**

**IMPORTANT**  
To register this product go to [www.gbc.com](http://www.gbc.com)



# CombBind® C210E

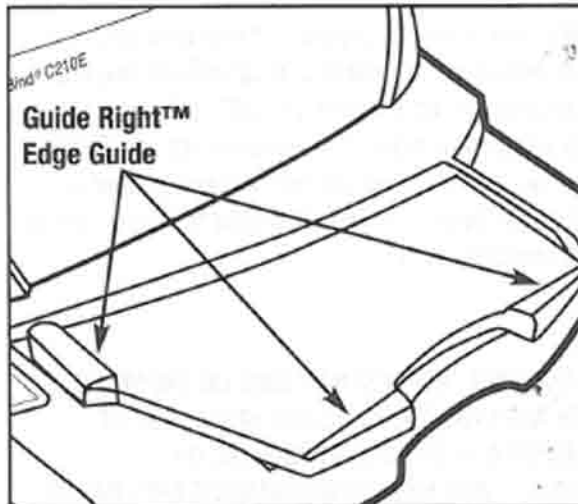


Figure 1

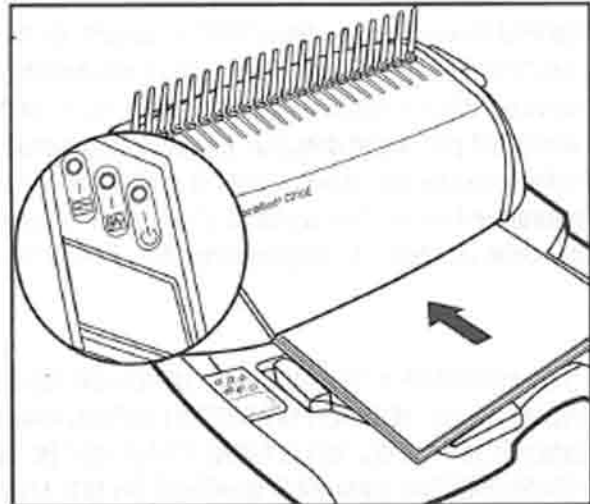


Figure 2

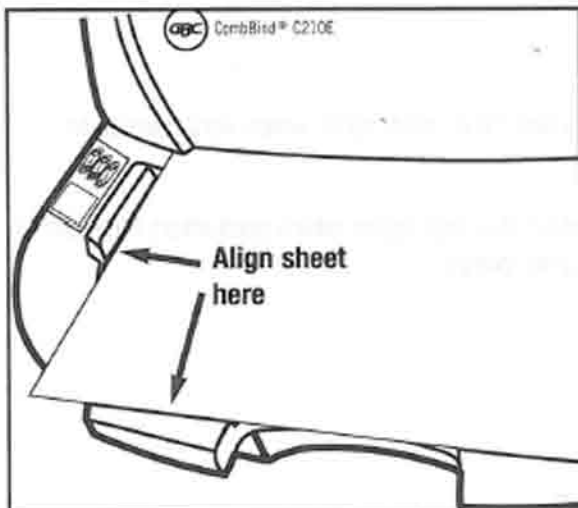


Figure 3

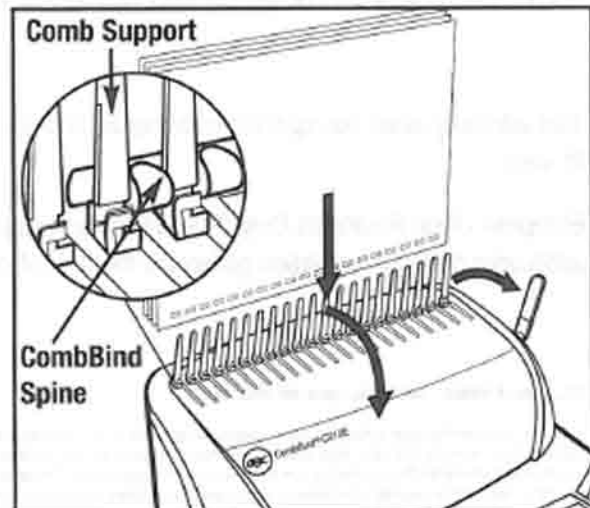


Figure 4

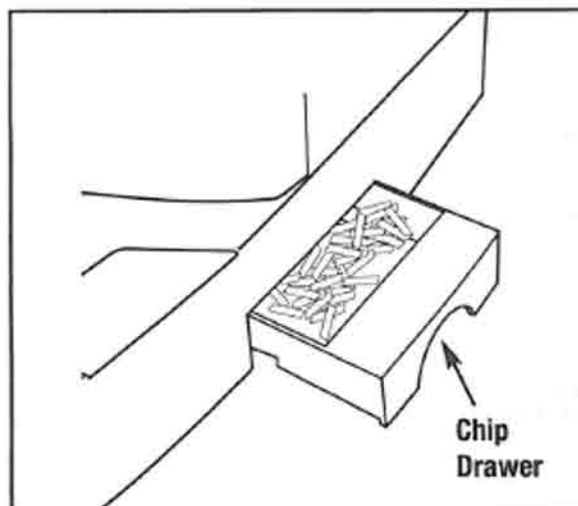



Figure 5

## Safety Instructions for CombBind® C210E

### SAFETY MESSAGES

Your safety as well as the safety of others is important to GBC. In this Instruction Manual and on the product are important safety messages. Read these messages carefully.

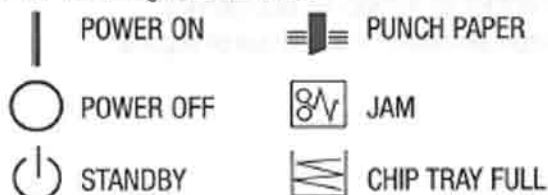
 The safety alert symbol precedes each safety message in this Instruction Manual. This symbol indicates a potential personal safety hazard that could hurt you or others, as well as cause product or property damage.


The following warning is found on this unit:

This safety message means you could be seriously hurt or killed if you open the product and expose yourself to hazardous voltage.



The following symbols appear on this product, and their meanings are as follow:



 **WARNING:** For your protection, do not connect the CombBind C210E to electrical power until you read these instructions completely. Keep these instructions in a convenient location for future reference. To guard against injury, the following basic safety precautions must be observed in the set-up and use of this product.


### IMPORTANT SAFEGUARDS

- Use the CombBind C210E only for its intended purpose of punching and binding paper and covers according to the indicated specifications.
- Do not place anything in the punch opening of the machine other than paper and cover stock.
- Place unit on a secure, stable work area to prevent the machine falling and possibly causing personal injury and damage to the unit.

- Follow all warnings and instructions marked on the product.
- Lift the machine from the bottom, not the cover.
- Do not lift the machine by the cover or Guide Right™ edge guide.

### ELECTRICAL SAFEGUARDS

The CombBind C210E must be connected to a supply voltage corresponding to the electrical rating of the machine as indicated on the serial/rating plate or in this manual.


 **CAUTION: THE POWER RECEPTACLE MUST BE LOCATED NEAR THE EQUIPMENT AND BE EASILY ACCESSIBLE.**

- Unplug the CombBind C210E before moving it, or when it is not in use for an extended period of time.
- Do not operate with a damaged supply cord or plug, after it malfunctions, or after it has been damaged in any manner.
- Do not overload electrical outlets beyond their capacity as this can result in fire or electrical shock.
- Do not alter attachment plug. Plug is configured for the appropriate electrical supply.
- The unit is intended for indoor use only.
- Never push objects into this product through cabinet slots. Do not spill liquid of any kind on this product.
- Do not operate if the product has been exposed to rain or water.

### SERVICE

Do not attempt to service or repair the CombBind C210E yourself. Unplug the unit and contact an authorized GBC service representative for any repairs.

### CLEANING

 **CAUTION:** Unplug this product before cleaning. Wipe exterior only with a damp cloth. Do not use detergents or solvents.

Please read these instructions carefully and keep them in a safe place for later reference.

#### A. PUNCH PAPER

North America only: Your machine has an adjustable Guide Right™ edge guide (see Figure 1) for aligning both letter size documents and oversize covers. If punching a letter size document, slide the edge guide all the way in, toward the machine. If punching an oversize cover, slide the edge guide all the way out, toward you.

1. Insert the document or cover to be punched into the punch opening. (see Figure 2)
2. Align the document or cover so that it is flush with the edge guide to ensure an accurate punch. (see Figure 3)
3. Press punch button on left of machine to punch document.

Note: To ensure clean punching, do not punch more than one plastic cover at a time.

#### B. BIND DOCUMENT (see Figure 4)

1. Before starting, make sure the binding hooks are in the closed position.
2. Place a GBC CombBind spine on the comb support on top of the machine so that the individual spine flexible rings open up and toward you.

3. To open the spine, turn the binding lever toward you (counter-clockwise) until the spine is open enough to insert your document.
4. Align punched holes in your document with corresponding flexible rings on the binding spine.
5. Place your punched document on the spine.
6. Turn the binding lever away from you (clockwise) until the spine is fully closed.
7. Remove your finished document by lifting it up off the comb support.

#### C. EMPTY CHIP DRAWER (see Figure 5)

1. Your CombBind C210E has a chip drawer located on the right side of the machine (see Figure 5). When it is full, an indicator light located above the punch button will illuminate. To empty, gently pull the drawer open and remove it from the machine. Dispose of the contents and re-insert the drawer into the machine until it snaps in place.

#### D. SERVICE

1. Contact an authorized GBC service representative for any required repairs.

## Specifications C210E

Max. width of paper	11.7" (297mm - A4)
Punching capacity, paper	20 sheets (20 lb./80gsm)
Binding capacity	300 sheets (1-1/2"/38mm CombBind spine)
Net weight	20.2 lbs. (9.2kg)
Dimensions (H x W x D)	16" (407mm) x 15" (388mm) x 8 1/2" (222mm)

Subject to technical changes without prior notice.

## LIMITED ONE YEAR WARRANTY

General Binding Corporation ("GBC") warrants to the original purchaser for a period of one year after purchase that this GBC product is free from defects in workmanship and material under normal use and service. GBC's obligation under this warranty is limited to replacement or repair, at GBC's option, of any warranted part found defective by GBC without charge for material or labor. Any replacement, at GBC's option, may be the same product or a substantially similar product that may contain remanufactured or refurbished parts. This warranty shall be void if the product has been misused, damaged by negligence or accident, or altered by anyone other than GBC or GBC's authorized agents.

THIS WARRANTY IS IN LIEU OF ALL OTHER EXPRESS WARRANTIES. REPRESENTATIONS OR PROMISES INCONSISTENT WITH, OR IN ADDITION TO THIS WARRANTY ARE UNAUTHORIZED AND SHALL NOT BE BINDING UPON GBC. IN NO EVENT SHALL GBC BE LIABLE FOR ANY SPECIAL, INCIDENTAL OR CONSEQUENTIAL DAMAGES, WHETHER OR NOT FORESEEABLE. ANY IMPLIED WARRANTIES ARE LIMITED IN DURATION TO THE DURATION OF THIS WARRANTY. SOME STATES DO NOT ALLOW THE EXCLUSION OR LIMITATION OF SPECIAL, INCIDENTAL OR CONSEQUENTIAL DAMAGES OR IMPLIED WARRANTIES, SO THE ABOVE EXCLUSION OR LIMITATION MAY NOT APPLY TO YOU.

This warranty gives you specific legal rights, and you may also have other rights which vary from state to state.

**European Union Residents Only:** This warranty does not affect the legal rights which consumers have under applicable national legislation governing the sale of consumer goods.

### FCC Class A Notice - Notification pour les Etats-Unis

Note: This equipment has been tested and found to comply with the limits for a Class A digital device, pursuant to part 15 of the FCC rules. These limits are designed to provide reasonable protection against harmful interference when the equipment is operated in a commercial environment. This equipment generates, uses, and can radiate radio frequency energy and, if not installed and used in accordance with the instruction manual, may cause harmful interference to radio communications. Operation of this equipment in a residential area is likely to cause harmful interference in which case the user will be required to correct the interference at his own expense.

Canada Class A Notice - Avis Canada, Classe A

This Class A digital apparatus complies with Canadian ICES-003.

Cet appareil numérique de la classe A est conforme à la norme NMB-003 du Canada.

### Modifications

Any modifications made to this device that are not approved by General Binding Corporation may void the authority granted to the user by the FCC and/or by Industry Canada to operate this equipment.

Toutes modifications apportées à ce dispositif et non approuvées par General Binding Corporation annuleront le droit accordé à l'utilisateur par le FCC et/ou par Industrie Canada de faire fonctionner cet équipement.



ACCO Brands  
300 Tower Parkway  
Lincolnshire, IL 60069-3640  
1 800 541 0094  
gbc.com

©2007 ACCO Brands. All rights reserved.



04/07

# We Have it All...



## **MyBinding.com**

*When Image Matters.*

**Guaranteed Lowest Prices** on an  
Endless Selection of Binding Systems, Laminators,  
Paper Shredders, Supplies and Accessories.

**We have you covered** with Expert Advice  
and Support. Our popular blog keeps you up to  
date on the latest tips and techniques to make  
your most important binding and laminating  
tasks a success.

**Call Us Today**

**1-800-944-4573**

### **Our Trusted Partners**

GBC / Ibico  
Fellowes  
Powis Fastback  
Unibind  
Akiles  
Renz  
Tamerica  
Rhin-O-Tuff  
DFG

Pro-Bind  
Martin Yale  
MBM  
Formax  
Intimus  
Dahle  
HSM  
Standard  
Xyron

Challenge  
Lasko-Wizer  
GBC Shredmaster  
Avery  
Wilson Jones  
Cardinal  
Samsill  
Universal

- BINDING MACHINES
- BINDING SUPPLIES
- LAMINATORS
- I.D. ACCESSORIES
- BOARDS & EASELS
- PAPER SHREDDERS
- XYRON LAMINATORS
- COIL BINDING MACHINES
- UNIBIND BINDING MACHINES
- FASTBACK BINDING EQUIPMENT
- PAPER FOLDING MACHINES
- LAMINATING POUCHES
- ROTARY TRIMMERS
- CLEAR COVERS
- TWIN LOOP WIRE
- REGENCY COVERS
- PLASTIC BINDING COVERS
- VELOBIND BINDING MACHINES
- PAPER HANDLING EQUIPMENT
- THERMAL BINDING MACHINES
- PROCLICK BINDING SYSTEMS
- COMB BINDING MACHINES
- COMB BINDING SUPPLIES
- WIRE BINDING MACHINES
- POUCH LAMINATORS
- LAMINATING ROLLS
- 3-RING BINDERS
- ROLL LAMINATORS
- VELOBIND SPINES
- PAPER CUTTERS
- PAPER JOGGERS
- LETTER OPENERS
- THERMAL COVERS
- UNIBIND SUPPLIES
- PROCLICK SPINES
- ZIPBIND SPINES
- LINEN COVERS
- SPIRAL COIL
- INDEX TABS

